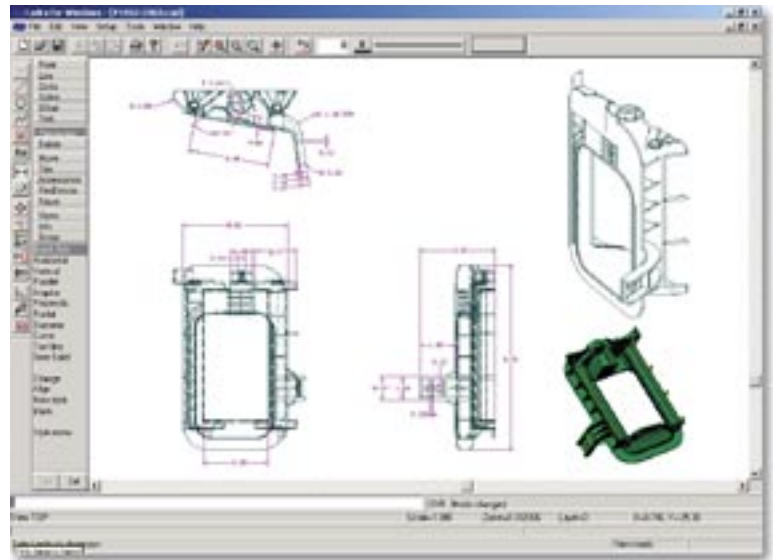


CADRA

CadraWorks

Bi-directional Data Exchange Brings Integrated Design Drafting and Solid Modeling to the Desktop

CadraWorks tightly couples Cadra Design Drafting from SofTech, Inc. with SolidWorks, the Windows-based solid modeler from SolidWorks Corporation. The combination of design, drafting and solid modeling capabilities gives you extraordinarily productive and cost-effective CAD/CAM seats. Engineers working in 3D who require full-featured detail drafting capability can conceptually design in SolidWorks and then produce all of the required engineering drawings in Cadra Design Drafting. Cadra's capabilities in this area have made it a proven leader among 2D detail drafting products. Drafters and designers can also expand any portion of their work to 3D solid modeling using SolidWorks. Any 2D geometry represented in a Cadra drawing can be used to create a 3D solid model, thereby giving the designer or drafter better visualization of the design intent for the part or assembly. The integration of Cadra Design Drafting and SolidWorks synergistically extends the performance of both of these industry leading CAD applications.



Why Choose CadraWorks?

For Cadra Users

- Integrate solid modeling on a single desktop
- Desktop prototyping capabilities to existing Cadra seats
- Photo-realistic images of work in progress

For SolidWorks Users

- Detail solid models quickly and efficiently
- Import data with greater ease

For All

- Measurable productivity gains
- Improved design quality
- Reduced design costs, faster time to market

What You Get with CadraWorks

Cadra Features available to Solidworks Users:

- Large assortment of context-sensitive one-touch tools
 - QuickDim (for intelligent dimensioning)

- QuickPick (for rapid selection and insertion of parts)
- QuickHatch (for crosshatching)
- QuickTrim (for trimming and cornering)
- FlexDesign for variational and parametric editing
- 2D CutOut for hidden line removal
- Insight for automatic selection of definition points, end-points, mid-points, and tangencies
- Translators so you can leverage your legacy data.
- Up to 1000 internal and 7000 external library figures
- Associative detail views
- Automatic and view-specific updating of dimension styles
- Automatic projection of geometry in any view orientation
- Windows-like “cut-and-paste” capability
- Advanced “move” and “copy” functions
- Microsoft OLE compliant

(Continued on back)

INTELLIGENT DESIGN & DRAFTING

- 64-bit double precision database
- Parametric, feature-based modeling
- Assembly modeling feature
- Intelligent building blocks: parts are created with embedded key features which can be used as intelligent building blocks; construction details related to part geometry are automatically incorporated in the geometry
- Mechanical design capabilities include thin-walled and multi-face shells; overlapping and variable radius fillets; extrusions which end at complex surfaces; draft angles; sweeps along complex paths; bends/lofts; chamfers; patterns; and revolves
- FeatureManager utilizing an easy-to-interpret tree-like structure consisting of icons and labels
- Automatic drop-off of orthogonal and isometric views with hidden lines removed
- PhotoWorks for photo-realistic rendering
- 3D annotations
- WeldWizard
- Automatically creates bend relief's for sheet metal designs
- Dome function enables you to create "round" faces
- Shrinkage control for mold makers
- Feature toolbar for creation of features
- Create hyperlinks to notes, files, or Intranet/Internet related materials

Products

CAD/CAM products available from SofTech include:

Base Products

Cadra Design Drafting - a 2-1/2D design and drafting program designed to speed the production of mechanical drawings

Cadra NC - a 2 through 5 axis NC programming package

Cadra View/Check - a viewing and/or red-lining utility which provides broad access to Cadra drawings and models across the organization

DesignGateway - allows product data and all related project documents to be accessed, viewed, and edited

Cadra Options

CadraDirect - reads and writes directly to industry leading software including CADAM, CADDs, DWG, DXF, IGES, and reads CATIA and MICROCADAM

CadraRaster - a raster-to-vector conversion utility for converting paper drawings into Cadra files

Cadra Autogeometry - an easy to use macro programming language

CadraLIB/BOM - assists Cadra users in conforming to QS/ISO standards by locating parts and storing their location automatically

CadraEDM - manages the workflow and documents of an Engineering department, which may include Cadra files

Requirements and Licensing

CadraWorks is an add-on option for use with the Cadra Design Drafting application. Cadra Design Drafting is a standalone application, which runs under a license management system. Under the license manager, applications can run on single systems or local and wide area networks. License management lets you configure your system for maximum resource usage while minimizing software costs.

Platforms

CadraWorks operates on PC's running Windows 95, 98, NT and 2000.

For More Information

To contact your local SofTech representative, call us at 1-800-800-3702 (Int'l +1 978 640 6222), e-mail us at softech-sales@softech.com or visit us on the Web at www.softech.com.



SofTech INC.

CORPORATE HEADQUARTERS:

Two Highwood Drive
Tewksbury, MA 01876
USA

Telephone: (978) 640-6222
E-mail: info@softech.com
Web: www.softech.com

For More Information:

E-mail info@softech.com
or visit www.softech.com